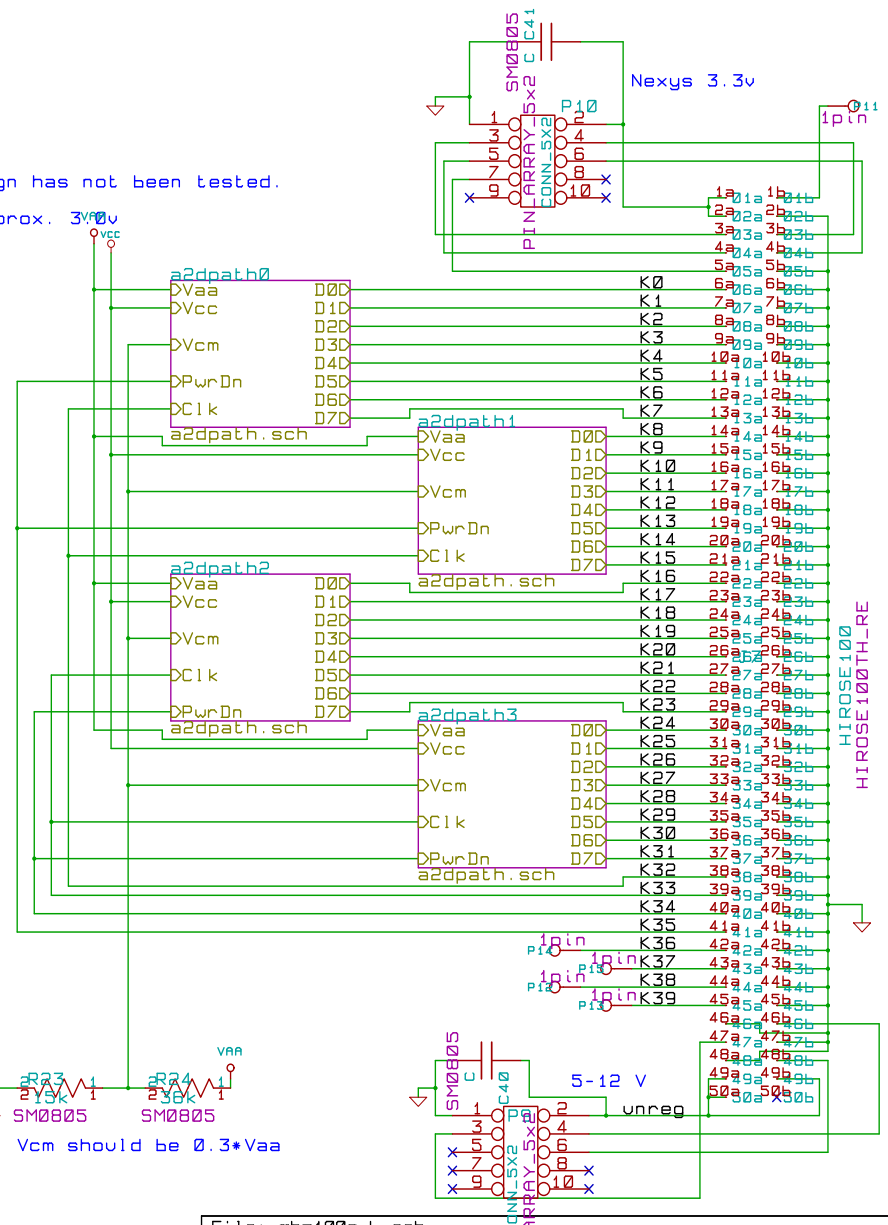
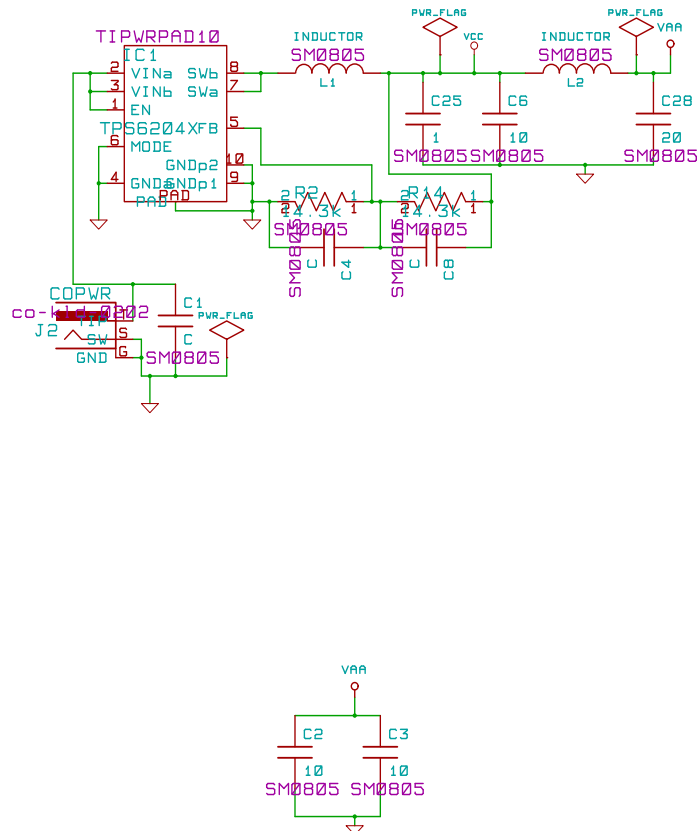


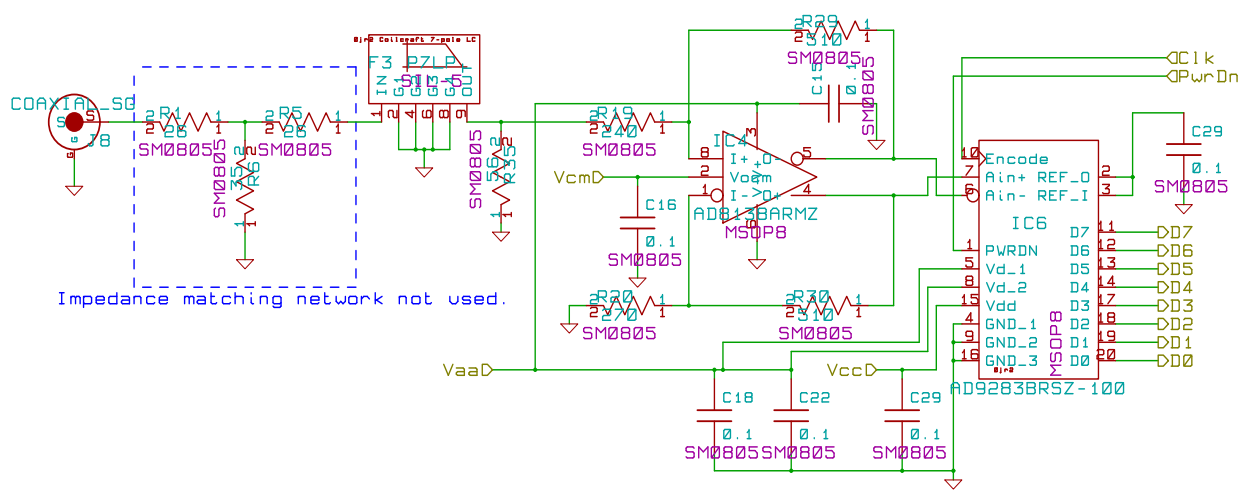
Switching regulator circuit is not installed and the design has not been tested.
 Connect Vcc to pin 2 of P10 (Nexys 3.3 supply)
 Replace L2 with Schottky diode (1N5819) to drop Vaa to approx. 3V



Vcm should be $0.3 \cdot Vaa$

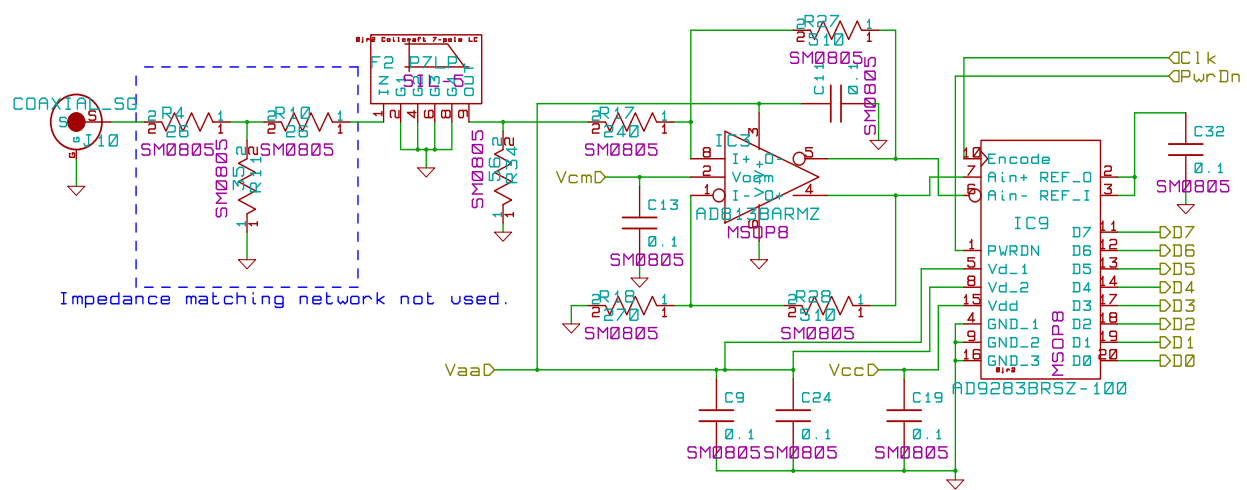
For 2-channel version, only the a2dpath3 and a2dpath2 sheets are populated.

File: mhzi00q_b.sch	
Sheet: /	
Title:	
Size: A4	Date: 31 jul 2008
KiCad E.D.A.	Rev:
	Id: 1/5



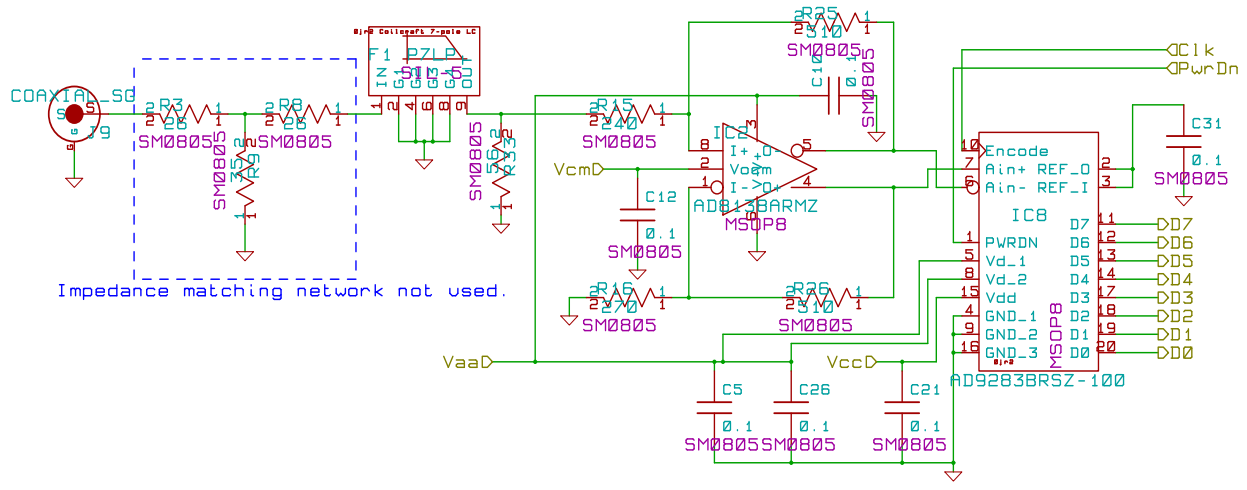
LMH6551MM used instead of AD8138.

File: a2dpath.sch		
Sheet: /a2dpath0/		
Title:		
Size: A4	Date: 31 jul 2008	Rev:
KiCad E.D.A.		Id: 5/5



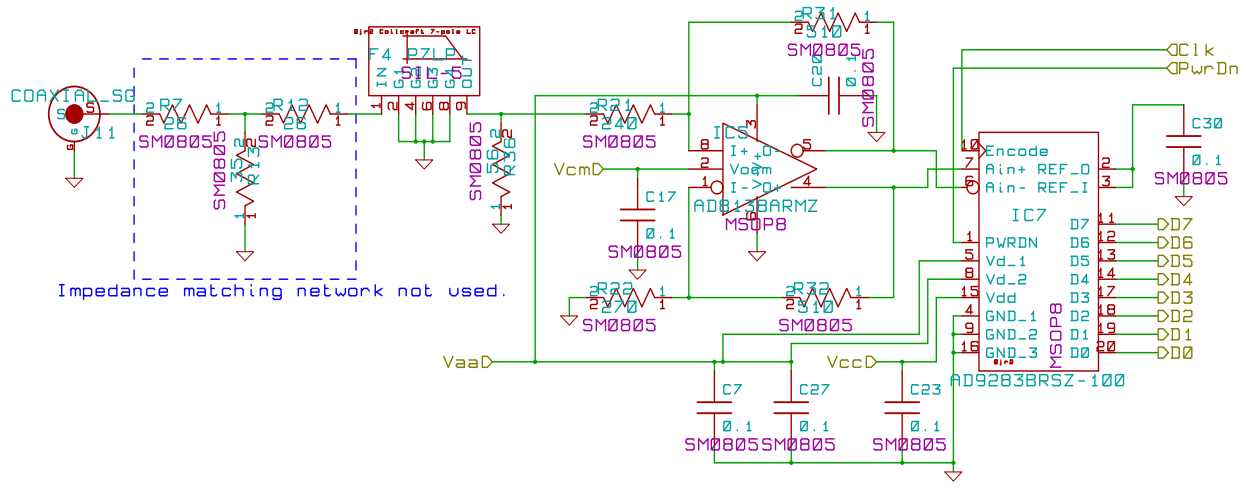
LMH6551MM used instead of AD8138.

File: a2dpath.sch		
Sheet: /a2dpath1/		
Title:		
Size: A4	Date: 31 jul 2008	Rev:
KiCad E.D.A.		Id: 4/5



LMH6551MM used instead of AD8138.

File: a2dpath.sch		
Sheet: /a2dpath2/		
Title:		
Size: A4	Date: 31 jul 2008	Rev:
KiCad E.D.A.		Id: 3/5



LMH6551MM used instead of AD8138.

File: a2dpath.sch		
Sheet: /a2dpath3/		
Title:		
Size: A4	Date: 31 jul 2008	Rev:
KiCad E.D.A.		Id: 2/5